

ATEX-APPROVED, CONNECTION HEAD WITH WELDED NPT PROCESS CONNECTION

How to build a part number:

To order an Applied Sensor Technologies temperature sensor, select the requirements for the categories listed below and fill in the corresponding boxes with your selection. Don't see exactly what you need? Give us a call!

SENSOR TYPE	ASSEMBLY STYLE	SHEATH DIAMETER	SHEATH MATERIAL	CALIBRATION	HOT JUNCTION	SHEATH LENGTH	OPTIONS

SENSOR TYPE

MI – Mineral insulated thermocouple

ASSEMBLY STYLE

22 – Sheath with cast aluminum head and 1/2" NPT welded stainless steel process connection; head ATEX approved for EEx d IIC; IP66 to 68; screw cover with chain and gasketed o-ring, meets NEMA 4X; ceramic terminal block; 3/4" NPT conduit connection; internal and external ground screws (Note: for spring-loaded fitting, see Style 75 and add optional head).

SHEATH DIAMETER (in inches)

- 4** – 1/8 (0.125)
- 6** – 3/16 (0.188)
- 7** – 1/4 (0.250)
- 9** – 3/8 (0.375)

SHEATH MATERIAL

- 3** – 316 stainless steel
- 5** – Inconel® 600

CALIBRATION – Standard limits

- J** – Single J **JJ** – Dual J
- K** – Single K **KK** – Dual K
- T** – Single T **TT** – Dual T
- E** – Single E **EE** – Dual E

Special limits are available – consult AST

HOT JUNCTION

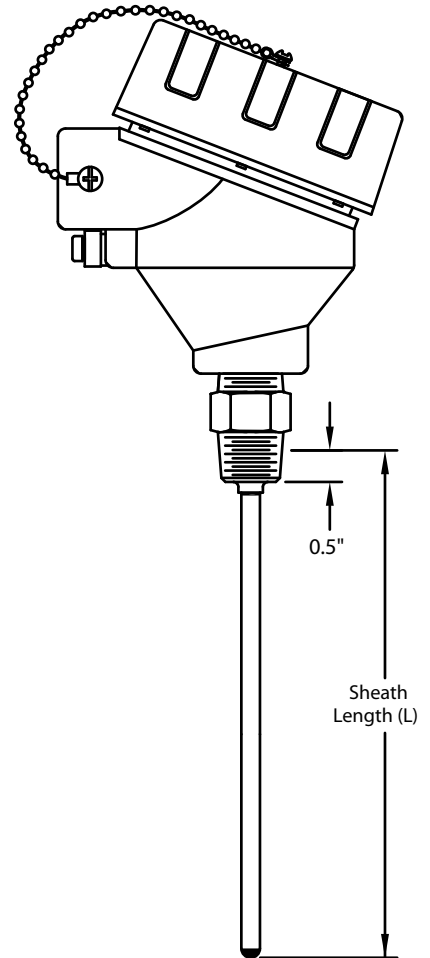
- G** – Grounded junction
- U** – Ungrounded junction
- E** – Exposed junction

(Note: lengths over L84 will be shipped coiled unless otherwise specified at time of order)

SHEATH LENGTH

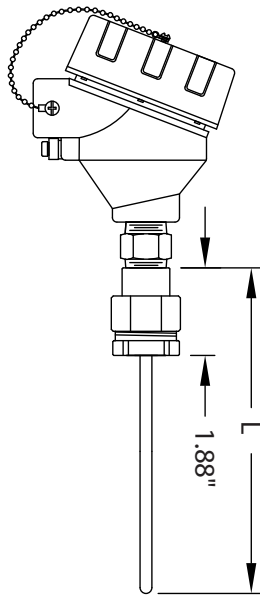
L# – (e.g., L6 = 6 inch sheath, L12.5 = 12.5 inch length)

OPTIONS – see back page



STYLE 22

AVAILABLE OPTIONS and MODIFICATIONS



UC20 Option

TERMINAL HEAD OPTION

Same specification as standard head

Option Code	Process Connection	Conduit Connection
HD72	1/2"	1/2"

ASSEMBLY OPTIONS

Option Code	Description
TAG1	Stainless steel tag and wire
PC25	1/4" NPT process connection
PC75	3/4" NPT process connection
RB10	Replace terminal block with customer supplied part
RB11	Supply assembly with no terminal block inside head
CAL1	Calibration, NIST traceable calibration [specify point(s)]
CRT1	Certificate of conformance

TRANSMITTERS – For complete specs, see Transmitters section

TR11	4-20 mA, 2-wire transmitter, single input, isolated output; specify range and units of measure (e.g., 0-200°C)
TR12	4-20 mA, 2-wire transmitter, single input, non-isolated output; specify range and units of measure (e.g., 0-200°C) and terminal head with *.
TR13	HART®/ 4-20 mA, 2-wire transmitter, single input, isolated output; specify range and units of measure (e.g., 0-200°C) and terminal head with *.

UNION CONNECTOR (converts male connection to female)

Option Code	Description
UC20	Plated steel, 1/2" x 1/2" NPT, explosion-proof rating

Note: adding the union connector reduces the sensor's L length by 1.88" (see view). Adjust L dimension accordingly.