

MOUNTING LUG WITH LEADWIRE

How to build a part number:

To order an Applied Sensor Technologies temperature sensor, select the requirements for the categories listed below and fill in the corresponding boxes with your selection. Don't see exactly what you need? Give us a call!

SENSOR TYPE	ASSEMBLY STYLE	LUG HOLE SIZE	TEMPERATURE RANGE	SHEATH LENGTH	LEADWIRE LENGTH	OPTIONS

SENSOR TYPE (See page 2-17b for optional elements)

RTP1 – Platinum; DIN 0.00385; 100 ohm +/- 0.12% @ 0°C; 3-wire construction

(For dual element, add prefix "D"- e.g., DRTP1)

ASSEMBLY STYLE

41 – Stainless steel mounting lug with Teflon® leadwire; diameter 0.312" only

LUG HOLE SIZE (in inches)

6 – 3/16 (0.188)

7 – 1/4 (0.250)

9 – 3/8 (0.375)

TEMPERATURE RANGE - Minimum and maximum operating temperatures

1 – -45 to 260°C (-50 to 500°F)

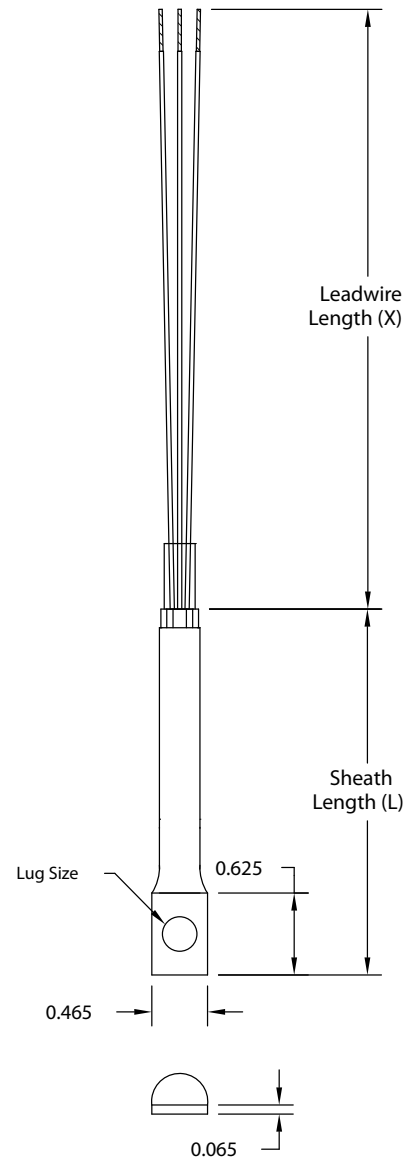
SHEATH LENGTH (Minimum L=1.75"; for lengths greater than L=36", consult AST)

L# – (e.g., L6 = 6 inch sheath)

LEADWIRE LENGTH

X# – (e.g., X72 = 72 inch length)

OPTIONS – see page 2-17b



Teflon® is a registered trademark of DuPont

AVAILABLE OPTIONS and MODIFICATIONS

OPTIONAL ELEMENTS		
RTDs are standardly platinum, 100-ohm, DIN-curve elements with a 0.00385 alpha.		
Option Code	Accuracy (at 0°C)	Construction
RTP1 (std.)	±0.12%	3-wire
RTP6	±0.12%	2-wire
RTP7	±0.12%	4-wire
Notes: 1. For dual element, add prefix "D" (e.g., DRTP6) 2. Additional materials, curves and resistance values are available - see Capabilities brochure.		
ASSEMBLY OPTIONS		
Option Code	Description	
TAG1	Stainless steel tag and wire	
CAL1	NIST traceable calibration [specify point(s)]	
CRT1	Certificate of conformance	
WIRING CONNECTION OPTIONS		
Option Code	Description	
WC76	#6 spade terminals, plated copper	
WC70	#10 spade terminals, plated copper	
WC84	1/4" push-on insulated terminals, plated copper	
WC90	#10 ring terminals	
WC98	#8 ring terminals	
PLUGS AND JACKS (Note: plug is designed to be attached to sensor assemblies. Jack options – for customer wiring – should only be specified if plug option is also included. Cable clamp is included for both plug and jack options.)		
PJ10	Standard plug, rated to 177°C (350°F)	
PJ20	Standard jack, rated to 177°C (350°F)	