

SPECIFICATIONS (CONT'D):

ELECTRICAL:

ELECTRICAL CONNECTIONS:

POWER INPUT: 3 POSITION TERMINAL BLOCK, 22-14 AWG WIRE, 4-20mA ANALOG INPUT POWERED (-20 TO 40 VDC) OR DIRECT CONNECTION TO 24 VDC (REFERENCE I&M FOR ALLOWABLE POWER SUPPLY AND LOAD LIMITS)

SAFETY RELAY OUTPUT (SWITCH OUTPUT): 4-POSITION TERMINAL BLOCK, 14 - 20 AWG WIRE 0* - 30 VDC, 6A (GENERAL PURPOSE), 1.8A** MAX. (PILOT DUTY)

* 10 VDC, 5mA MIN. WITH RELAY MONITOR FEATURE ENABLED
 ** DE-RATE 1% PER °C ABOVE 25°C

I/AW OUTPUT AND SWITCH STATUS OUTPUT: 4-POSITION TERMINAL BLOCK, 14 - 26 AWG WIRE 30VDC @20mA MAX.

SPECIFICATIONS:

(SPECIFICATIONS AT 25°C (77°F) AND NOMINAL VOLTAGE UNLESS OTHERWISE NOTED).

MECHANICAL:

WETTED MATERIALS: 316 STAINLESS STEEL
 ENCLOSURE: TYPE 360 ALUMINUM; EPOXY POWDER COATED

MODEL	TEMPERATURE RANGE	EXTENSION LENGTH	
		ft	[meter]
TR1	-40 TO 450°F/ -40 TO 232°C	6'	[1.8]
TRC	-40 TO 450°F/ -40 TO 232°C	UP TO 30' max. IN 1' INCREMENTS	[9.1] MAX
TH1	-40 TO 1000°F/ -40 TO 538°C	6'	[1.8]
THC	-40 TO 1000°F/ -40 TO 538°C	UP TO 30' max. IN 1' INCREMENTS	[9.1] MAX
TC1	-300 TO 200°F/ -184 TO 93°C	6'	[1.8]
TCC	-300 TO 200°F/ -184 TO 93°C	UP TO 30' max. IN 1' INCREMENTS	[9.1] MAX

THIS DOCUMENT IS PROPRIETARY PROPERTY OF UNITED ELECTRIC CONTROLS. UNAUTHORIZED USE IS STRICTLY PROHIBITED.

APPROVALS	DATE
DRAWN BY: R.MCCAREY	5/24/2017
CHECKED BY: SR	5/24/2017
APPROVED BY: R. MCCAREY	5/24/2017



UNITED ELECTRIC CONTROLS
 LEADERS IN SAFETY, ALARM & SHUTDOWN

180 Dexter Avenue
 Watertown, MA. 02472
 617-926-1000
 www.ueonline.com

TITLE: 2SLP48 REMOTE TEMP. SAFETY XMITTER		
SIZE A	DRAWING NO. 14058	REV C
SCALE: 1:1		DO NOT SCALE THIS DRAWING
		SHEET 1 OF 2

REV	ECN#	DESCRIPTION	DATE	DRWN	APPD
C	E6403	UPDATED TB2, SAFETY RELAY OUTPUT TERMINAL BLOCK LABELS: "VDC" REPLACED "NEUTRAL 1" & "NEUTRAL 2"; "SRO" REPLACED "SRO" & "LINE" (SHEET 2)	12-13-18	SR	RAM
B	E6315	REDRAWN. CHANGED TWO 2-POSITION TERMINAL BLOCKS FOR THE SWITCH STATUS AND I/AW OUTPUTS TO ONE 4-POSITION TERMINAL BLOCK. CHANGED AWG RATING FROM 16-26 TO 14-26.	8/6/18	SR	JCG
REVISION HISTORY					

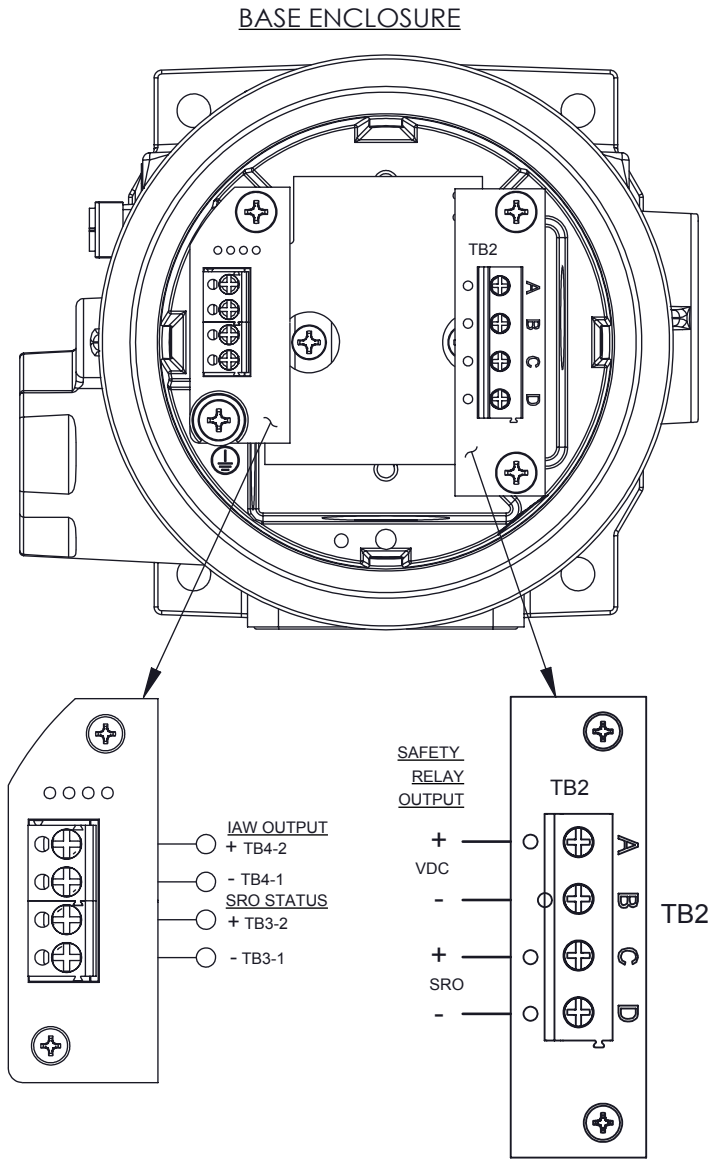
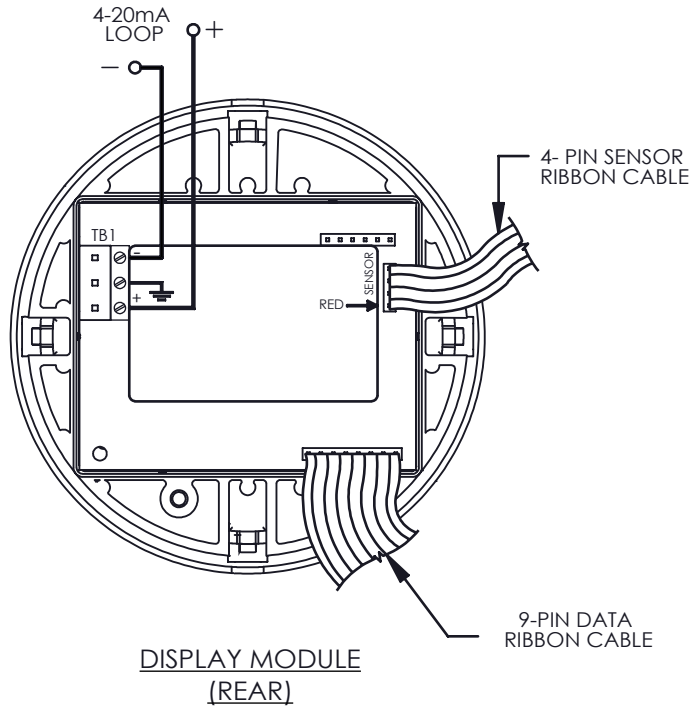
THIRD ANGLE PROJECTION

UNLESS OTHERWISE SPECIFIED DIMENSIONS & TOLERANCES ARE IN INCHES (MM) INTERPRET PER ASME Y14.5M-2009

STANDARD TOLERANCES

DECIMALS	ANGLES
X ± 0.03	± 1/2°
XX ± 0.01	FRACTIONS
XXX ± 0.005	± 1/64

2SLP48 WIRING DIAGRAM



UEDOC #7:DE733010102 - Rev. C

THIS DOCUMENT IS PROPRIETARY PROPERTY OF UNITED ELECTRIC CONTROLS. UNAUTHORIZED USE IS STRICTLY PROHIBITED.

THIRD ANGLE PROJECTION

UNLESS OTHERWISE SPECIFIED DIMENSIONS & TOLERANCES ARE IN INCHES (MM) INTERPRET PER ASME Y14.5M-2009

STANDARD TOLERANCES

DECIMALS	ANGLES
X ± 0.03	± 1/2°
XX ± 0.01	FRACTIONS ± 1/64
XXX ± 0.005	

UE UNITED ELECTRIC CONTROLS
LEADERS IN SAFETY, ALARM & SHUTDOWN

180 Dexter Avenue
Watertown, MA. 02472
617-926-1000
www.ueonline.com

SIZE	DRAWING NO.	REV
A	14058	C
SCALE: 1:1 DO NOT SCALE THIS DRAWING		SHEET 2 OF 2