

**SPECIFICATIONS:**

(SPECIFICATIONS AT 25°C (77°F) AND NOMINAL VOLTAGE UNLESS OTHERWISE NOTED).

**MECHANICAL:**

WETTED MATERIALS: 316 STAINLESS STEEL  
ENCLOSURE: TYPE 360 ALUMINUM; EPOXY POWDER COATED

**ELECTRICAL:**

**ELECTRICAL CONNECTIONS:**

POWER INPUT: 3 POSITION TERMINAL BLOCK, 22-14 AWG WIRE, 4-20mA ANALOG INPUT POWERED (20-40 VDC) OR DIRECT CONNECTION TO 24 VDC (REFERENCE I&M FOR ALLOWABLE POWER SUPPLY AND LOAD LIMITS)

SAFETY RELAY OUTPUT (SWITCH OUTPUT):  
4-POSITION TERMINAL BLOCK, 14 - 20 AWG WIRE  
0\* - 30 VDC, 6A (GENERAL PURPOSE), 1.8A\*\* MAX. (PILOT DUTY)

\* 10 VDC, 5mA MIN. WITH RELAY MONITOR FEATURE ENABLED  
\*\* DE-RATE 1% PER °C ABOVE 25°C

IAW OUTPUT AND SWITCH STATUS OUTPUT:  
4-POSITION TERMINAL BLOCK, 14 - 26 AWG WIRE  
30VDC @20mA MAX.

MODEL KXX	OPERATING RANGE			MAX. OVER PRESSURE		MAX. WORKING PRESSURE	
	LOW psi/bar	HIGH psi	bar	psi	bar	psi	bar
K10	0	5	0.3	10	0.7	50	3.4
K11	0	50	3.4	100	6.9	500	34.5
K12	0	100	6.9	200	13.8	1500	103.4
K13	0	200	13.8	400	27.6	1500	103.4

THIS DOCUMENT IS PROPRIETARY PROPERTY OF UNITED ELECTRIC CONTROLS. UNAUTHORIZED USE IS STRICTLY PROHIBITED.

APPROVALS	DATE
DRAWN BY: R. MCCAREY	5/24/2017
CHECKED BY: SR	5/24/2017
APPROVED BY: R. MCCAREY	5/24/2017

**UE UNITED ELECTRIC CONTROLS**  
LEADERS IN SAFETY, ALARM & SHUTDOWN  
180 Dexter Avenue  
Watertown, MA. 02472  
617-926-1000  
www.ueonline.com

TITLE:  
**2SLP48  
DIFFERENTIAL PRESSURE  
SAFETY XMITTER**

REV	ECN#	DESCRIPTION	DATE	DRWN	APPD
C	E6403	UPDATED TB2, SAFETY RELAY OUTPUT TERMINAL BLOCK LABELS: "VDC" REPLACED "NEUTRAL 1" & "NEUTRAL 2"; "SRO" REPLACED "SRO" & "LINE" (SHEET 2)	12-13-18	SR	RAM
B	E6315	REDRAWN. CHANGED TWO 2-POSITION TERMINAL BLOCKS FOR THE SWITCH STATUS AND IAW OUTPUTS TO ONE 4-POSITION TERMINAL BLOCK. CHANGED AWG RATING FROM 16-26 TO 14-26.	8/6/18	SR	JCG
<b>REVISION HISTORY</b>					

THIRD ANGLE PROJECTION

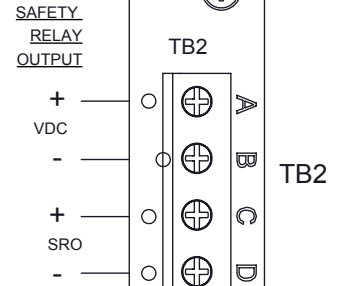
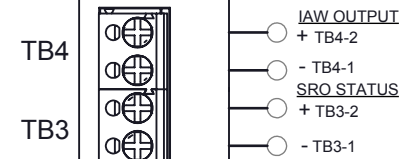
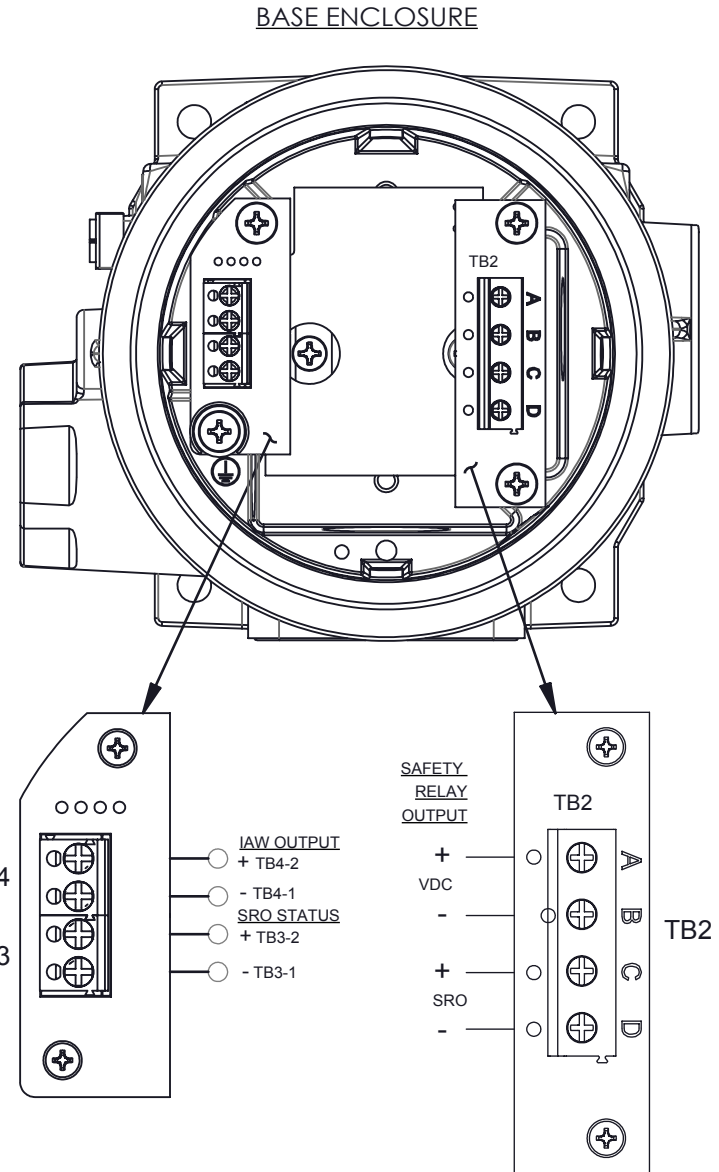
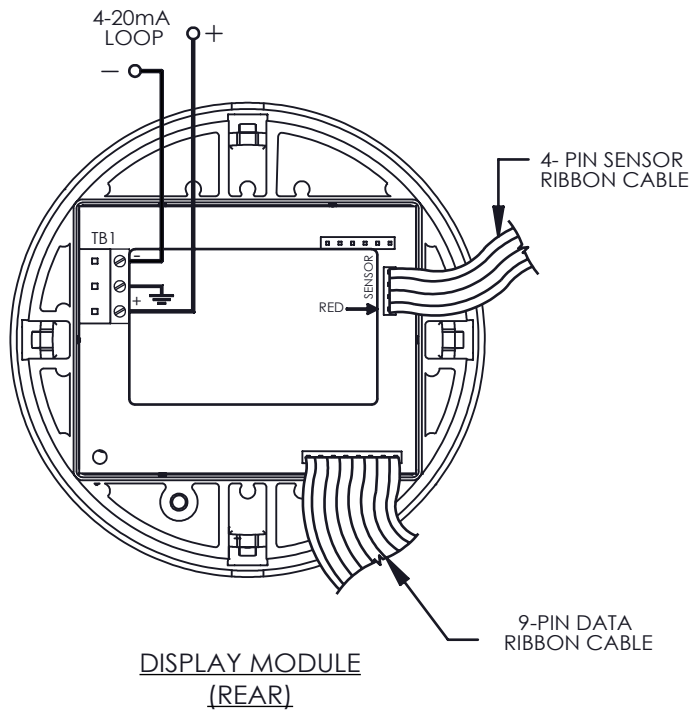
UNLESS OTHERWISE SPECIFIED DIMENSIONS & TOLERANCES ARE IN INCHES (MM) INTERPRET PER ASME Y14.5M-2009

**STANDARD TOLERANCES**

DECIMALS	ANGLES
X ± 0.03	± 1/2°
XX ± 0.01	FRACTIONS ± 1/64
XXX ± 0.005	

SIZE	DRAWING NO.	REV
<b>A</b>	14055	<b>C</b>
SCALE: 1:1		DO NOT SCALE THIS DRAWING
SHEET 1 OF 2		

# 2SLP48 WIRING DIAGRAM



UEDOC #7:DE733010102-Rev.C

THIS DOCUMENT IS PROPRIETARY PROPERTY OF UNITED ELECTRIC CONTROLS. UNAUTHORIZED USE IS STRICTLY PROHIBITED.

**THIRD ANGLE PROJECTION**

UNLESS OTHERWISE SPECIFIED DIMENSIONS & TOLERANCES ARE IN INCHES (MM) INTERPRET PER ASME Y14.5M-2009

STANDARD TOLERANCES	
DECIMALS	ANGLES
X ± 0.03	± 1/2°
XX ± 0.01	FRACTIONS ± 1/64
XXX ± 0.005	

**UNITED ELECTRIC CONTROLS**  
LEADERS IN SAFETY, ALARM & SHUTDOWN

180 Dexter Avenue  
Watertown, MA. 02472  
617-926-1000  
www.ueonline.com

SIZE	DRAWING NO.	REV
<b>A</b>	<b>14055</b>	<b>C</b>
SCALE: 1:1		SHEET 2 OF 2

DO NOT SCALE THIS DRAWING