

SPECIFICATIONS:

MECHANICAL:

WETTED MATERIALS: 316 STAINLESS STEEL
ENCLOSURE: TYPE 360 ALUMINUM; EPOXY POWDER COATED

ELECTRICAL:

ELECTRICAL CONNECTION:
3 POSITION TERMINAL BLOCK, 22-14 AWG Max
2 POSITION TERMINAL BLOCK, 22-14 AWG Max

SWITCH SPECS (SWITCH AND IAW):
POWER INPUT: 2 WIRE ELECTRONIC SWITCH
(DERIVES OPERATING POWER FROM THE SWITCH OUTPUT WIRES)

SWITCH OUTPUT: 70 TO 240 VAC/VDC @ 100 mA
(DERATE 1mA/°C ABOVE 25°C)
6.0 mA MIN. LOAD REQUIRED

SWITCH CHARACTERISTICS: OPEN STATE 70-240 VAC/VDC @ 1.0 mA
CLOSED STATE 13.5 VAC/VDC @ 100 mA

IAW CHARACTERISTICS: OPEN SUPPLY VOLTAGE 7.8 - 50 VDC
CLOSED 4.7 VDC NOMINAL

MODEL	TEMPERATURE RANGE	EXTENSION LENGTH	
		ft	[meter]
TR1	-40 TO 450°F/ -40 TO 232°C	6'	[1.8]
TRC	-40 TO 450°F/ -40 TO 232°C	UP TO 30' max. IN 1' INCREMENTS	[9.1] MAX
TH1	-40 TO 1000°F/ -40 TO 538°C	6'	[1.8]
THC	-40 TO 1000°F/ -40 TO 538°C	UP TO 30' max. IN 1' INCREMENTS	[9.1] MAX
TC1	-300 TO 200°F/ -184 TO 93°C	6'	[1.8]
TCC	-300 TO 200°F/ -184 TO 93°C	UP TO 30' max. IN 1' INCREMENTS	[9.1] MAX

ORIGINAL DATE	5-31-16
DRWN	RAM
CHKD	SR
APPD	R. McCAREY
UNLESS OTHERWISE SPECIFIED DIMENSIONS ARE IN INCHES TOLERANCES ON FRACTIONS ±1/64 2 PLACE DEC 3 PLACE DEC ANGLES ±0.010 ±0.005 ±1/2°	
DO NOT SCALE THIS DRAWING	

TITLE
**1XSWHL
REMOTE
TEMP.
SWITCH**

SCALE 1:2.5

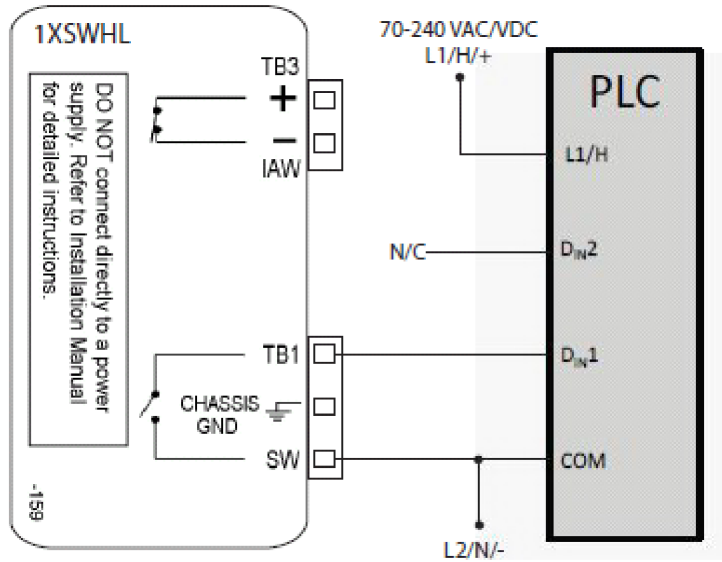
UE
UNITED ELECTRIC
CONTROLS COMPANY
WATERTOWN * MASSACHUSETTS

DWG NO Page 1 of 2
A-14036

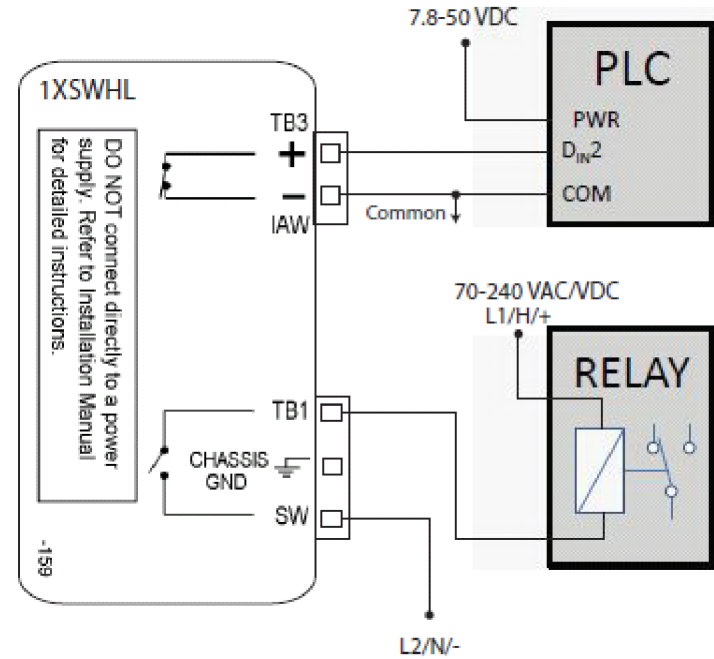
THIS DOCUMENT IS PROPRIETARY PROPERTY OF UNITED ELECTRIC CONTROLS. UNAUTHORIZED USE IS STRICTLY PROHIBITED.				A	E5837	FIRST ISSUE.	5-31-16	RAM	RAM
REV.	ECN#	DESCRIPTION	DATE	DRWN	APPD				

RECOMMENDED WIRING SCHEMES

**SW AND IAW
PLC INPUTS CIRCUITS**



**INTERPOSING RELAY
WITH IAW CIRCUIT**



ORIGINAL DATE	5-31-16	
DRWN	RAM	
CHKD	SR	
APPD	R. McCAREY	
UNLESS OTHERWISE SPECIFIED DIMENSIONS ARE IN INCHES TOLERANCES ON FRACTIONS ±1/64 2 PLACE DEC 3 PLACE DEC ANGLES ±0.010 ±0.005 ±1/2°		
DO NOT SCALE THIS DRAWING		

TITLE
**1XSWHL
REMOTE
TEMP.
SWITCH**

SCALE 1:1

**UNITED ELECTRIC
CONTROLS COMPANY**
WATERTOWN • MASSACHUSETTS

DWG NO A-14036 Page 2 of 2

THIS DOCUMENT IS PROPRIETARY PROPERTY OF UNITED ELECTRIC CONTROLS. UNAUTHORIZED USE IS STRICTLY PROHIBITED.	A	E5837		5-31-16	RAM	RAM
	REV.	ECN#	DESCRIPTION	DATE	DRWN	APPD