

DISPLAY CAN BE ROTATED UP TO 180° BOTH DIRECTIONS

SPECIFICATIONS:

MECHANICAL:
 WETTED MATERIALS: 316 STAINLESS STEEL
 ENCLOSURE: TYPE 360 ALUMINUM; EPOXY POWDER COATED

ELECTRICAL:
 ELECTRICAL CONNECTION:
 3 POSITION TERMINAL BLOCK, 22-14 AWG Max
 2 POSITION TERMINAL BLOCK, 22-14 AWG Max

SWITCH SPECS (SWITCH AND IAW):
 POWER INPUT: 2 WIRE ELECTRONIC SWITCH
 (DERIVES OPERATING POWER FROM THE SWITCH OUTPUT WIRES)

SWITCH OUTPUT: 70 TO 240 VAC/VDC @ 100 mA
 (DERATE 1mA/°C ABOVE 25°C)
 6.0 mA MIN. LOAD REQUIRED

SWITCH CHARACTERISTICS: OPEN STATE 70-240 VAC/VDC @ 1.0 mA
 CLOSED STATE 13.5 VAC/VDC @ 100 mA

IAW CHARACTERISTICS: OPEN SUPPLY VOLTAGE 7.8 - 50 VDC
 CLOSED 4.7 VDC NOMINAL

MODEL KXX	OPERATING RANGE			MAX. OVER PRESSURE		MAX. WORKING PRESSURE	
	LOW psi/bar	HIGH psi	bar	psi	bar	psi	bar
K10	0	5	0.3	10	0.7	50	3.4
K11	0	50	3.4	100	6.9	500	34.5
K12	0	100	6.9	200	13.8	1500	103.4
K13	0	200	13.8	400	27.6	1500	103.4

ORIGINAL DATE	5-31-16
DRWN	RAM
CHKD	SR
APPD	R. McCAREY
UNLESS OTHERWISE SPECIFIED DIMENSIONS ARE IN INCHES TOLERANCES ON FRACTIONS ±1/64 2 PLACE DEC 3 PLACE DEC ANGLES ±0.010 ±0.005 ±1/2°	
DO NOT SCALE THIS DRAWING	

TITLE
**1XSWHL
 DIFF.
 PRESSURE
 SWITCH**

SCALE 1:2.5

UNITED ELECTRIC
 CONTROLS COMPANY
 WATERTOWN * MASSACHUSETTS

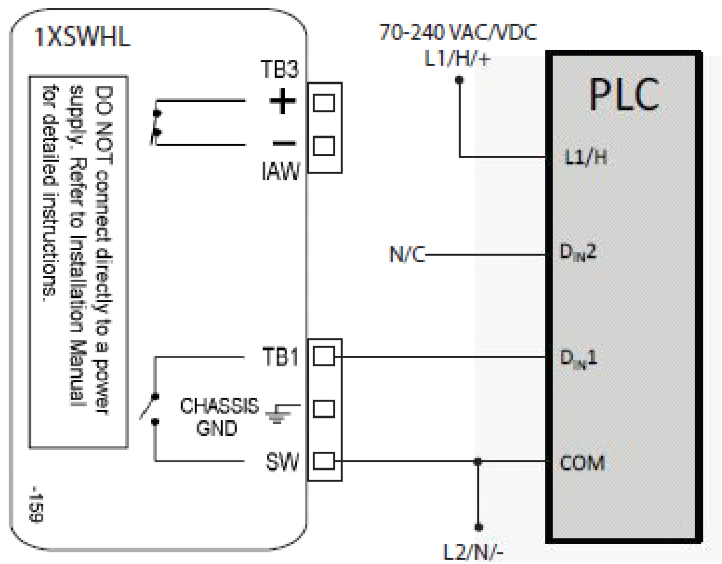
DWG NO Page 1 of 2
A-14035

THIS DOCUMENT IS PROPRIETARY PROPERTY OF UNITED ELECTRIC CONTROLS. UNAUTHORIZED USE IS STRICTLY PROHIBITED.				A	E5837	FIRST ISSUE.	5-31-16	RAM	RAM
REV.	ECN#	DESCRIPTION	DATE	DRWN	APPD				

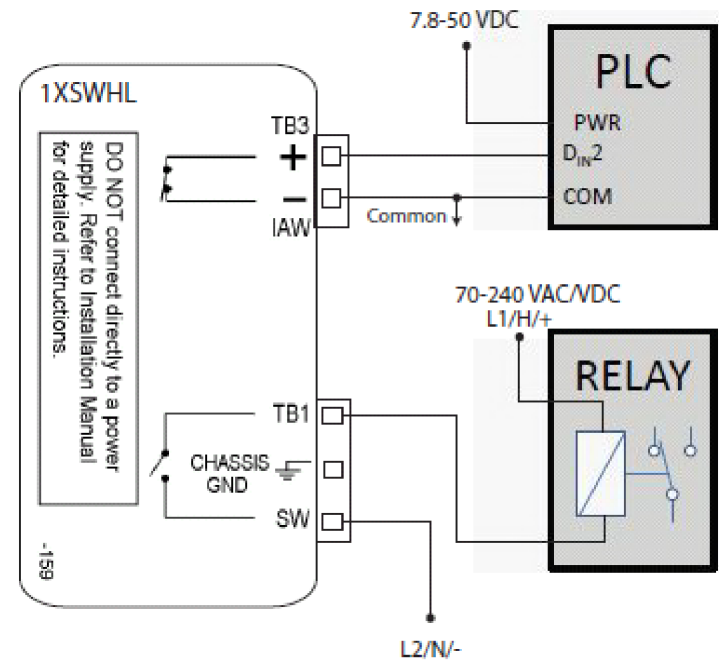
RECOMMENDED WIRING SCHEMES

A-14035

**SW AND IAW
PLC INPUTS CIRCUITS**




**INTERPOSING RELAY
WITH IAW CIRCUIT**



ORIGINAL DATE	5-31-16
DRWN	RAM
CHKD	SR
APPD	R. McCAREY
UNLESS OTHERWISE SPECIFIED DIMENSIONS ARE IN INCHES TOLERANCES ON FRACTIONS ±1/64 2 PLACE DEC 3 PLACE DEC ANGLES ±0.010 ±0.005 ±1/2°	
DO NOT SCALE THIS DRAWING	

TITLE	1XSWHL DIFF. PRESSURE SWITCH
SCALE	



**UNITED ELECTRIC
CONTROLS COMPANY**
WATERTOWN * MASSACHUSETTS

DWG NO	Page 2 of 2
A-14035	

THIS DOCUMENT IS PROPRIETARY PROPERTY OF UNITED ELECTRIC CONTROLS. UNAUTHORIZED USE IS STRICTLY PROHIBITED.	A	E5837	FIRST ISSUE.	5-31-16	RAM	RAM
	REV.	ECN#	DESCRIPTION	DATE	DRWN	APPD