

SPECIFICATIONS:

MECHANICAL:
 WETTED MATERIALS: 316 STAINLESS STEEL
 ENCLOSURE: TYPE 360 ALUMINUM; EPOXY POWDER COATED

ELECTRICAL:
 ELECTRICAL CONNECTION:
 3 POSITION TERMINAL BLOCK, 22-14 AWG Max
 2 POSITION TERMINAL BLOCK, 22-14 AWG Max

SWITCH SPECS (SWITCH AND IAW):
 POWER INPUT: 2 WIRE ELECTRONIC SWITCH
 (DERIVES OPERATING POWER FROM THE SWITCH OUTPUT WIRES)

SWITCH OUTPUT: 70 TO 240 VAC/VDC @ 100 mA
 (DERATE 1mA/°C ABOVE 25°C)
 6.0 mA MIN. LOAD REQUIRED

SWITCH CHARACTERISTICS: OPEN STATE 70-240 VAC/VDC @ 1.0 mA
 CLOSED STATE 13.5 VAC/VDC @ 100 mA

IAW CHARACTERISTICS: OPEN SUPPLY VOLTAGE 7.8 - 50 VDC
 CLOSED 4.7 VDC NOMINAL

MODEL PXX	OPERATING RANGE				MAX. OVER PRESSURE	
	LOW		HIGH		psi	bar
	psi	bar	psi	bar		
P06	-14.7	-1	30	2.1	60	4.1
P08	-14.7	-1	100	6.9	200	13.8
P10	0	0	5	0.3	10	0.7
P11	0	0	15	1.0	30	2.1
P12	0	0	30	2.1	60	4.1
P13	0	0	50	3.4	100	6.9
P14	0	0	100	6.9	200	13.8
P15	0	0	300	20.7	600	41.4
P16	0	0	500	34.5	1000	68.9
P17	0	0	1000	68.9	2000	137.9
P18	0	0	3000	206.8	6000	413.7
P19	0	0	4500	310.3	9000	620.6
P20	0	0	6000	413.6	12000	827.4

ORIGINAL DATE	5-31-16
DRWN	RAM
CHKD	SR
APPD	R. McCAREY
UNLESS OTHERWISE SPECIFIED DIMENSIONS ARE IN INCHES	
TOLERANCES ON FRACTIONS ±1/64	
2 PLACE DEC	3 PLACE DEC
±0.010	±0.005
ANGLES ±1/2°	
DO NOT SCALE THIS DRAWING	

TITLE
**1XSWHL
 GAGE
 PRESSURE
 SWITCH**

SCALE 1:2.5

**UNITED ELECTRIC
 CONTROLS COMPANY**
 WATERTOWN * MASSACHUSETTS

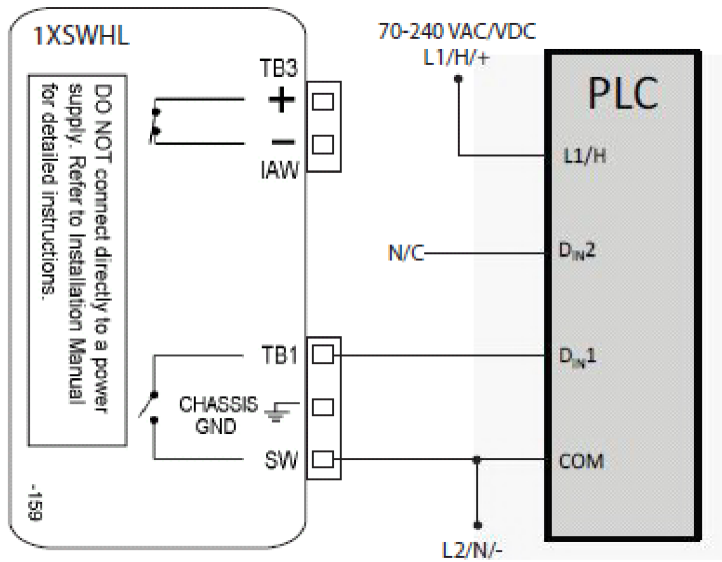
DWG NO Page 1 of 2
A-14034

THIS DOCUMENT IS PROPRIETARY PROPERTY OF UNITED ELECTRIC CONTROLS. UNAUTHORIZED USE IS STRICTLY PROHIBITED.	A	E5837	FIRST ISSUE.	5-31-16	RAM	RAM
REV.	ECN#	DESCRIPTION		DATE	DRWN	APPD

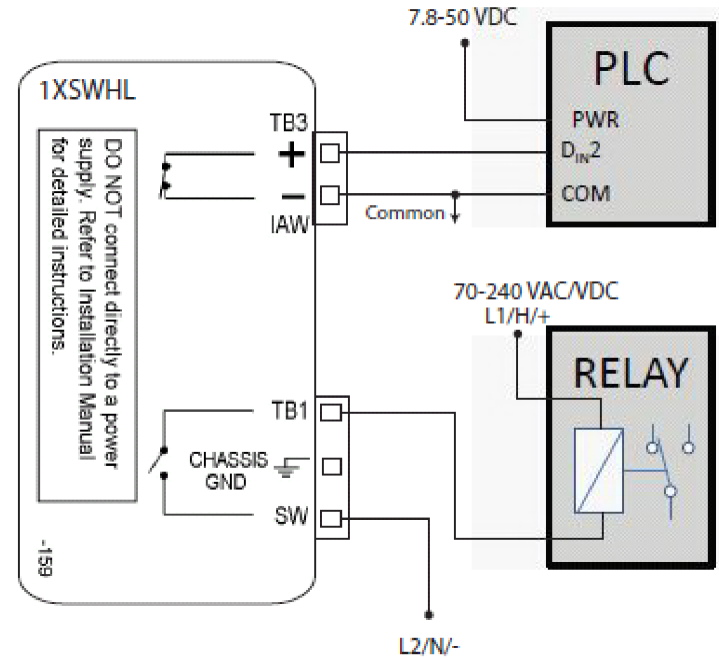
RECOMMENDED WIRING SCHEMES

A-14034

**SW AND IAW
PLC INPUTS CIRCUITS**



**INTERPOSING RELAY
WITH IAW CIRCUIT**




THIS DOCUMENT IS PROPRIETARY PROPERTY OF UNITED ELECTRIC CONTROLS. UNAUTHORIZED USE IS STRICTLY PROHIBITED.

A	E5837	FIRST ISSUE.	5-31-16	RAM	RAM
REV.	ECN#	DESCRIPTION	DATE	DRWN	APPD

ORIGINAL DATE	5-31-16
DRWN	RAM
CHKD	SR
APPD	R. McCAREY
UNLESS OTHERWISE SPECIFIED DIMENSIONS ARE IN INCHES TOLERANCES ON FRACTIONS ±1/64 2 PLACE DEC 3 PLACE DEC ANGLES ±0.010 ±0.005 ±1/2°	
DO NOT SCALE THIS DRAWING	

TITLE	1XSWHL GAGE PRESSURE SWITCH
SCALE	1:1



**UNITED ELECTRIC
CONTROLS COMPANY**
WATERTOWN * MASSACHUSETTS

DWG NO	Page 2 of 2
A-14034	