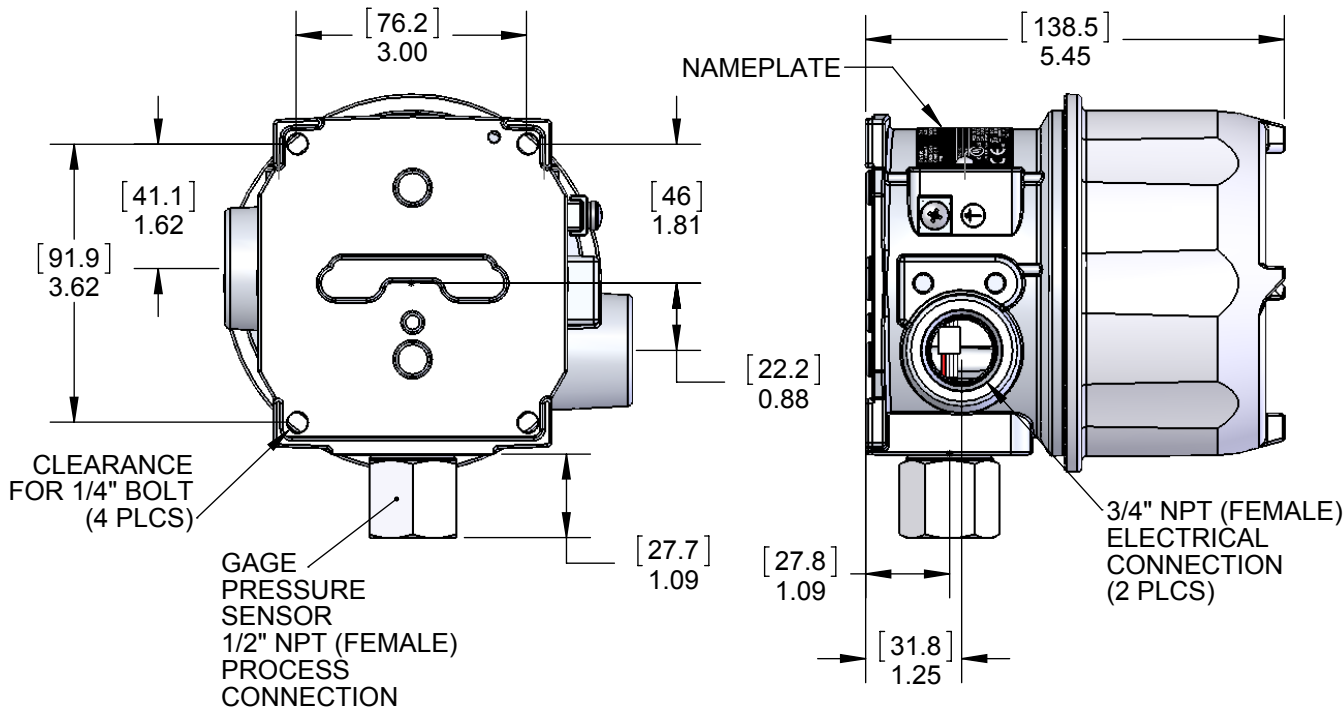
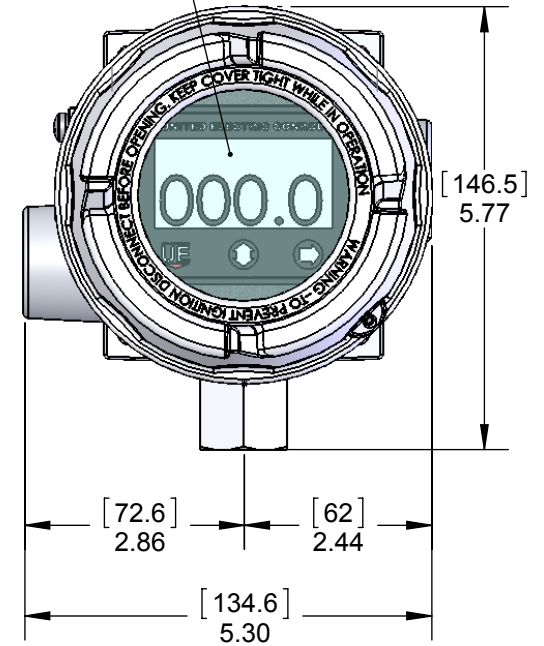


A-14021



DISPLAY CAN BE ROTATED UP TO 180° BOTH DIRECTIONS



SPECIFICATIONS:

MECHANICAL:
WETTED MATERIALS: 316 STAINLESS STEEL
ENCLOSURE: TYPE 360 ALUMINUM; EPOXY POWDER COATED

ELECTRICAL:
ELECTRICAL CONNECTION:
TB1: 3 POSITION TERMINAL BLOCK, 22-14 AWG Max
* TB3: 2 POSITION TERMINAL BLOCK, 26-14 AWG Max
* TB2: 4 POSITION TERMINAL BLOCK, 26-14 AWG Max

SWITCH SPECS (Switch and IAW):
TB1: 4-20mA LOOP OUTPUT, 20-40 VDC@21mA Max.
(VOLTAGES ABOVE 25 VDC REQUIRE A SUITABLE SERIES LOAD RESISTOR. SEE I&M FOR DETAILS)
* TB3: IAW OUTPUT, 30 VDC @ 20 mA Max.
* TB2: SWITCH OUTPUTS (2), 0-280 VAC/DC @ 300 mA (DERATE 8% PER 10°C ABOVE 21°C)

* MODEL 1XTXSW ONLY

APPROVALS:

cULus LISTED
CLASS I, DIVISION 1, GROUPS A, B, C & D;
CLASS II, DIVISION 1, GROUPS E, F & G; CLASS III
CLASS I, ZONE 1, AEx d IIC T3/T5*;
Ex d IIC T3/T5*;
CLASS I, ZONE 2, AEx nA IIC T4;
CLASS I, ZONE 2 EX nA IIC T4;
-40°C ≤ Tamb ≤ 85°C (-40°F ≤ Tamb ≤ 185°F)
ENCLOSURE TYPE 4X; IP66
UL File: E226592

ATEX APPROVED
II 2 G Ex db IIC T3/T5* Gb;
II 2 D Ex tb IIIC A21 T+90°C Db;
IP66
-40°C ≤ Tamb ≤ 85°C (-40°F ≤ Tamb ≤ 185°F)
DEMKO 09 ATEX 0813748X

II 3 G Ex nA IIC T4 Gc
DEMKO 15 ATEX 1483

APPROVALS:

IECEx APPROVED
Ex db IIC T3/T5* Gb;
Ex tb IIIC T+90°C Db;
IP66
-40°C ≤ Tamb ≤ 85°C (-40°F ≤ Tamb ≤ 185°F)
IECEx UL 08.0017X

Ex nA IIC T4 Gc
IECEx UL 08.0017X

* STRAIGHT PRESSURE SENSOR MODELS P10-P16
HAVE A TEMPERATURE CLASS OF T3. ALL OTHER
MODELS HAVE A T5 TEMPERATURE CLASS.

MODEL PXX	OPERATING RANGE				MAX. OVER PRESSURE	
	LOW		HIGH		psi	bar
P06	-14.7	-1	30	2.1	60	4.1
P08	-14.7	-1	100	6.9	200	13.8
P10	0	0	5	0.3	10	0.7
P11	0	0	15	1.0	30	2.1
P12	0	0	30	2.1	60	4.1
P13	0	0	50	3.4	100	6.9
P14	0	0	100	6.9	200	13.8
P15	0	0	300	20.7	600	41.4
P16	0	0	500	34.5	1000	68.9
P17	0	0	1000	68.9	2000	137.9
P18	0	0	3000	206.8	6000	413.7
P19	0	0	4500	310.3	9000	620.6
P20	0	0	6000	413.6	12000	827.4

REV.	ECN#	DESCRIPTION	DATE	DRWN	APPD
C	E5644	AGENCY TEMPERATURE CODE "T3/T5*" WAS "T5". ADDED TEMPERATURE CLASS NOTE: " * STRAIGHT PRESSURE SENSOR MODELS P10-P16..."	10-9-15	SR	RAM
B	E5632	DELETED "CLASS 1, ZONE 1" FROM "Ex d IIC T5" IN cULus APPROVAL. ADDED "b" TO "Ex db" IN ATEX AND IECEx APPROVALS	9-21-15	SR	EM
A	E5620	FIRST ISSUE.	9-4-15	RAM	RAM

ORIGINAL DATE	9-4-15
DRWN	RAM
CHKD	SR
APPD	R. McCAREY
UNLESS OTHERWISE SPECIFIED DIMENSIONS ARE IN INCHES TOLERANCES ON FRACTIONS ±1/64 2 PLACE DEC 3 PLACE DEC ANGLES ±0.010 ±0.005 ±1/2°	
DO NOT SCALE THIS DRAWING	

TITLE
1XTXSW / 1XTX00 GAGE PRESSURE TRANSMITTER

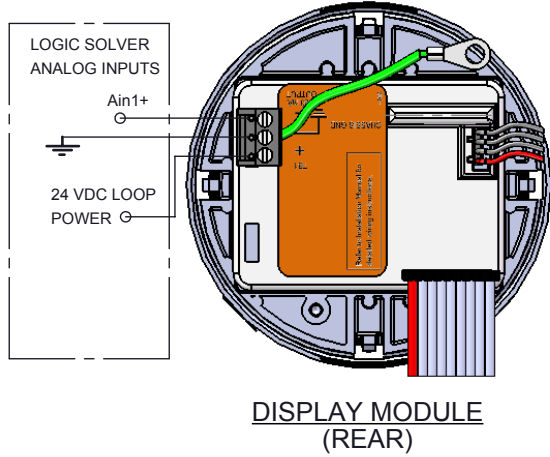
SCALE 1:2.5

UE
UNITED ELECTRIC CONTROLS COMPANY
WATERTOWN * MASSACHUSETTS

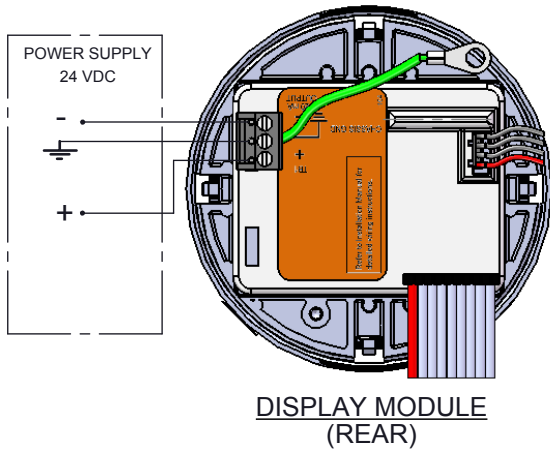
DWG NO Page 1 of 2
A-14021

POWER OPTIONS

POWERED BY 4-20mA LOOP(1XTXSW / 1TX00)

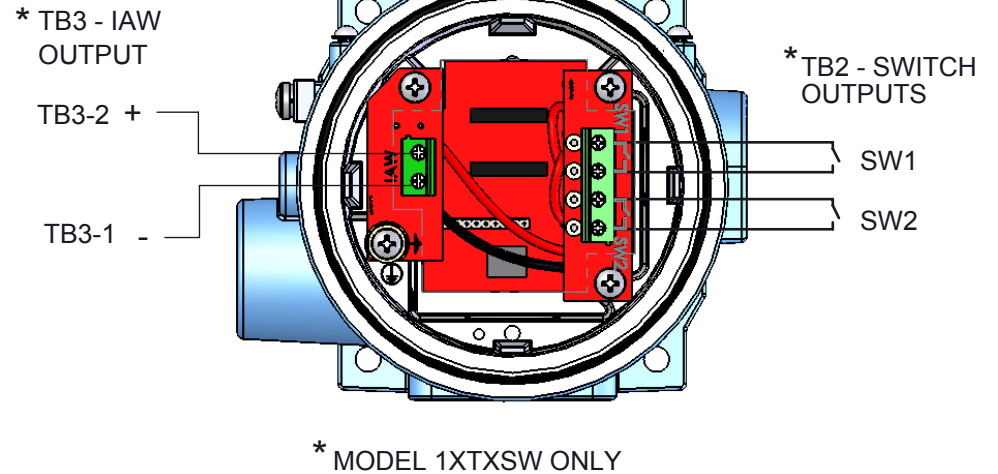
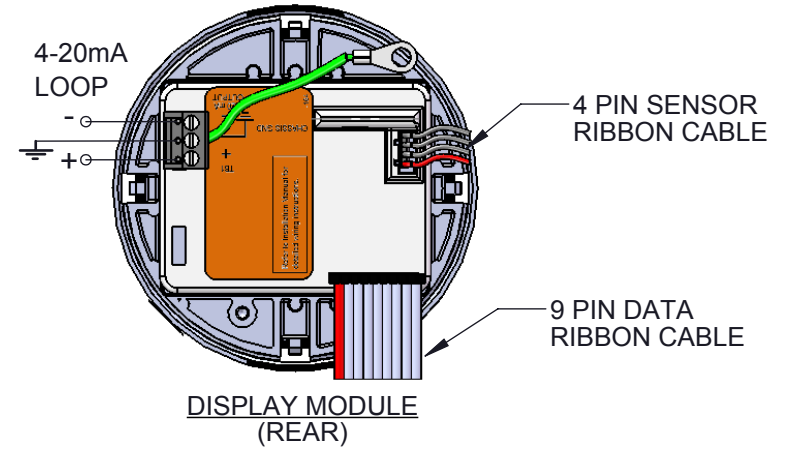


POWERED BY 24VDC POWER SUPPLY (1XTXSW ONLY)



WIRING DIAGRAM

A-14021



ORIGINAL DATE	9-4-15
DRWN	RAM
CHKD	SR
APPD	R. McCAREY
UNLESS OTHERWISE SPECIFIED DIMENSIONS ARE IN INCHES	
TOLERANCES ON FRACTIONS ±1/64	
2 PLACE DEC	3 PLACE DEC
±0.010	±0.005
ANGLES	±1/2°
DO NOT SCALE THIS DRAWING	

TITLE
1XTXSW / 1TX00 GAGE PRESSURE TRANSMITTER

SCALE 1:1

UE
 UNITED ELECTRIC CONTROLS COMPANY
 WATERTOWN * MASSACHUSETTS

DWG NO Page 2 of 2
A-14021

REV.	ECN#	DESCRIPTION	DATE	DRWN	APPD
C	E5644	SEE PG. 1 OF 2.	10-9-15	SR	RAM
B	E5632	SEE PG. 1 OF 2.	9-21-15	SR	EM
A	E5620	FIRST ISSUE.	9-4-15	RAM	RAM

THIS DOCUMENT IS PROPRIETARY PROPERTY OF UNITED ELECTRIC CONTROLS. UNAUTHORIZED USE IS STRICTLY PROHIBITED.