

CLEARANCE FOR 1/4" BOLT (4 PLCS)

REMOTE TEMPERATURE SENSOR; 1/2" NPT (FEMALE) CONNECTION TO ENCLOSURE; MINERAL INSULATED CABLE WITH Ø0.25" X 2.50" LG. BULB

DISPLAY CAN BE ROTATED 180° BOTH DIRECTIONS

SPECIFICATIONS (CONT'D):

ELECTRICAL:

ELECTRICAL CONNECTIONS:

POWER SUPPLY: 3 POSITION TERMINAL BLOCK, 22-14 AWG WIRE
 POWER INPUT: 4-20mA LOOP POWERED (20-40 Vdc)
 (REFERENCE I&M FOR ALLOWABLE POWER SUPPLY AND LOAD LIMITS)

SAFETY RELAY OUTPUT (SWITCH OUTPUT):
 4-POSITION TERMINAL BLOCK, 14 - 20 AWG WIRE
 250 VAC @ 5A

I/AW OUTPUT AND SWITCH STATUS OUTPUT:
 4-POSITION TERMINAL BLOCK, 14 - 26 AWG WIRE
 30VDC @20mA MAX.

SPECIFICATIONS:

(SPECIFICATIONS AT 25°C (77°F) AND NOMINAL VOLTAGE UNLESS OTHERWISE NOTED).

MECHANICAL:

WETTED MATERIALS: 316 STAINLESS STEEL
 ENCLOSURE: TYPE 360 ALUMINUM; EPOXY POWDER COATED

MODEL	TEMPERATURE RANGE	EXTENSION LENGTH	
		ft	[meter]
TR1	-40 TO 450°F/ -40 TO 232°C	6'	[1.8]
TRC	-40 TO 450°F/ -40 TO 232°C	UP TO 30' max. IN 1' INCREMENTS	[9.1] MAX
TH1	-40 TO 1000°F/ -40 TO 538°C	6'	[1.8]
THC	-40 TO 1000°F/ -40 TO 538°C	UP TO 30' max. IN 1' INCREMENTS	[9.1] MAX
TC1	-300 TO 200°F/ -184 TO 93°C	6'	[1.8]
TCC	-300 TO 200°F/ -184 TO 93°C	UP TO 30' max. IN 1' INCREMENTS	[9.1] MAX

THIS DOCUMENT IS PROPRIETARY PROPERTY OF UNITED ELECTRIC CONTROLS. UNAUTHORIZED USE IS STRICTLY PROHIBITED.

APPROVALS	DATE
DRAWN BY: A. KARLGREN	11/22/2013
CHECKED BY: SR	11/22/2013
APPROVED BY: AJC	11/22/2013

UE UNITED ELECTRIC CONTROLS
 LEADERS IN SAFETY, ALARM & SHUTDOWN
 180 Dexter Avenue
 Watertown, MA. 02472
 617-926-1000
 www.ueonline.com

REV	ECN#	DESCRIPTION	DATE	DRWN	APPD
H	E6400	UPDATED TB2, SAFETY RELAY OUTPUT TERMINAL BLOCK LABELS: "INTERNAL JUMPER" REPLACED "NEUTRAL 1" & "NEUTRAL 2"; "SRO" REPLACED "SRO" & "LINE" (SHEET 2)	12-13-18	SR	RAM
G	E6315	REDRAWN. CHANGED TWO 2-POSITION TERMINAL BLOCKS FOR THE SWITCH STATUS AND I/AW OUTPUTS TO ONE 4-POSITION TERMINAL BLOCK. CHANGED AWG RATING FROM 16-26 TO 14-26.	8/3/18	SR	JCG
REVISION HISTORY					

THIRD ANGLE PROJECTION

UNLESS OTHERWISE SPECIFIED DIMENSIONS & TOLERANCES ARE IN INCHES (MM) INTERPRET PER ASME Y14.5M-2009

STANDARD TOLERANCES

DECIMALS	ANGLES
X ± 0.03	± 1/2°
XX ± 0.01	FRACTIONS
XXX ± 0.005	± 1/64

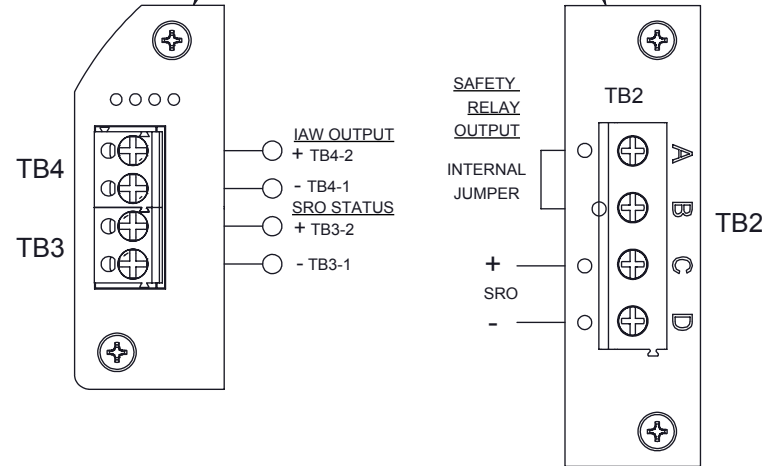
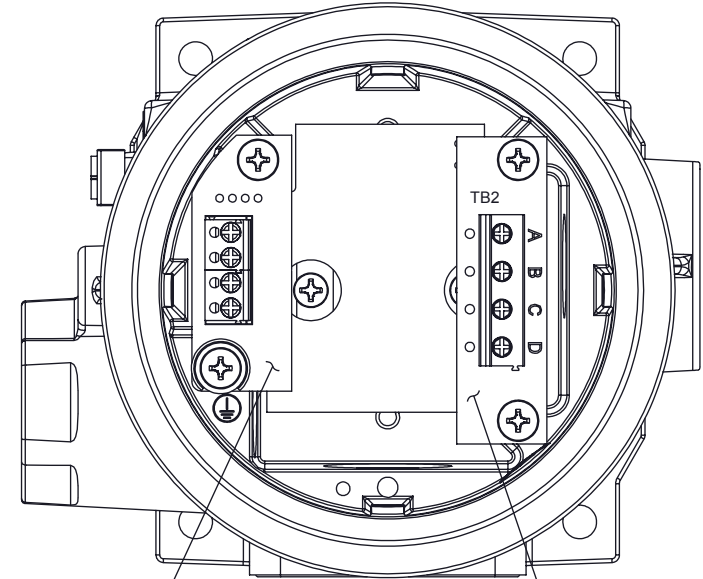
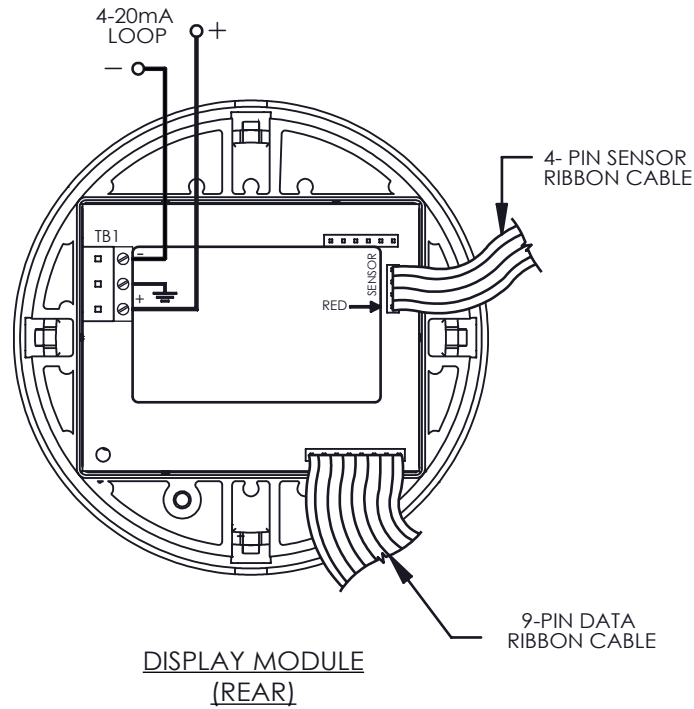
TITLE:
**2SLP47
 REMOTE TEMP.
 SAFETY XMITTER**

SIZE A	DRAWING NO. 14009	REV H
------------------	-----------------------------	-----------------

SCALE: 1:1 | DO NOT SCALE THIS DRAWING | SHEET 1 OF 2

2SLP47 WIRING DIAGRAM

BASE ENCLOSURE



UEDOC # : DE733010102 - Rev. C

THIS DOCUMENT IS PROPRIETARY PROPERTY OF UNITED ELECTRIC CONTROLS. UNAUTHORIZED USE IS STRICTLY PROHIBITED.

THIRD ANGLE PROJECTION

UNLESS OTHERWISE SPECIFIED DIMENSIONS & TOLERANCES ARE IN INCHES (MM) INTERPRET PER ASME Y14.5M-2009

STANDARD TOLERANCES

DECIMALS	ANGLES
X ± 0.03	± 1/2°
XX ± 0.01	FRACTIONS ± 1/64
XXX ± 0.005	

UE UNITED ELECTRIC CONTROLS
LEADERS IN SAFETY, ALARM & SHUTDOWN

180 Dexter Avenue
Watertown, MA. 02472
617-926-1000
www.ueonline.com

SIZE	DRAWING NO.	REV
A	14009	H
SCALE: 1:1 DO NOT SCALE THIS DRAWING		SHEET 2 OF 2